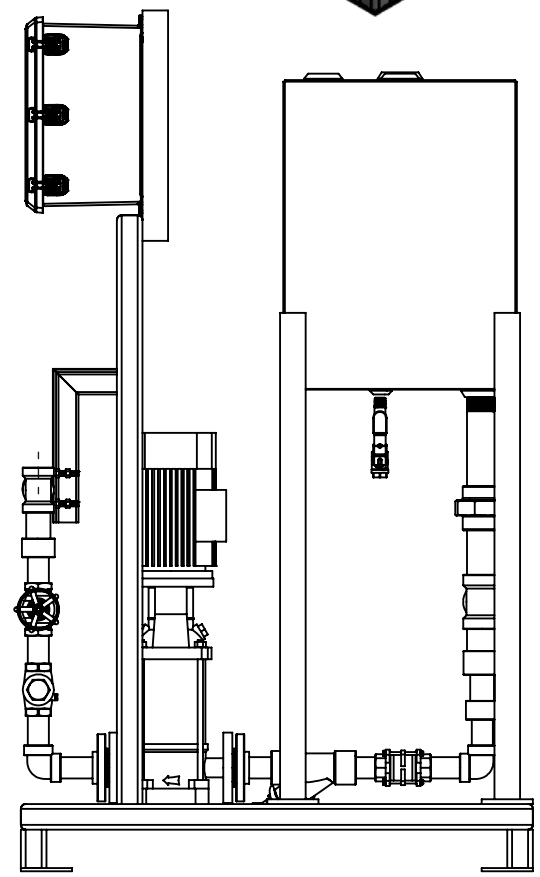
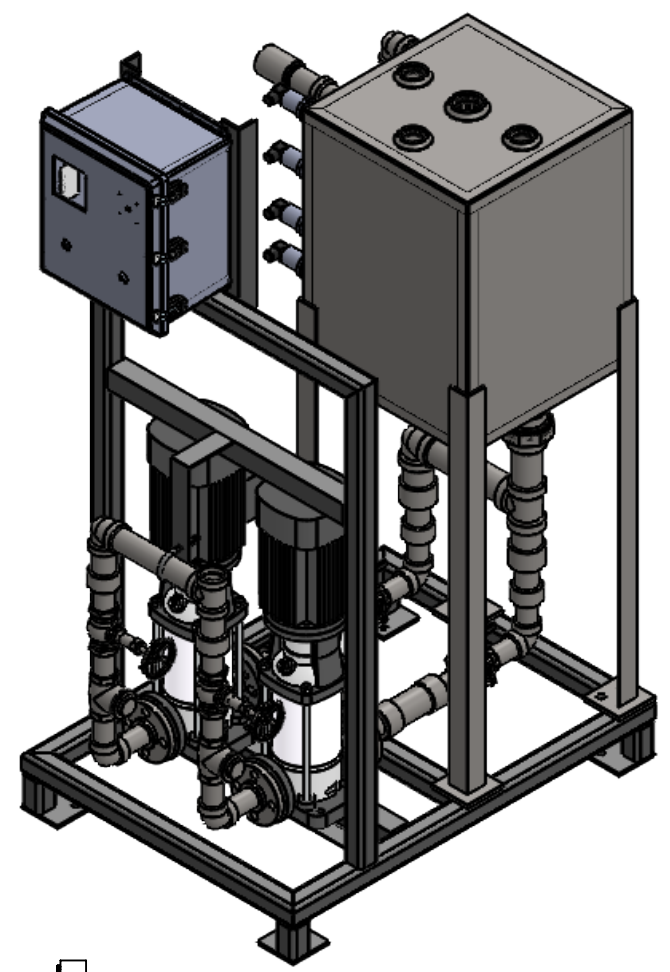
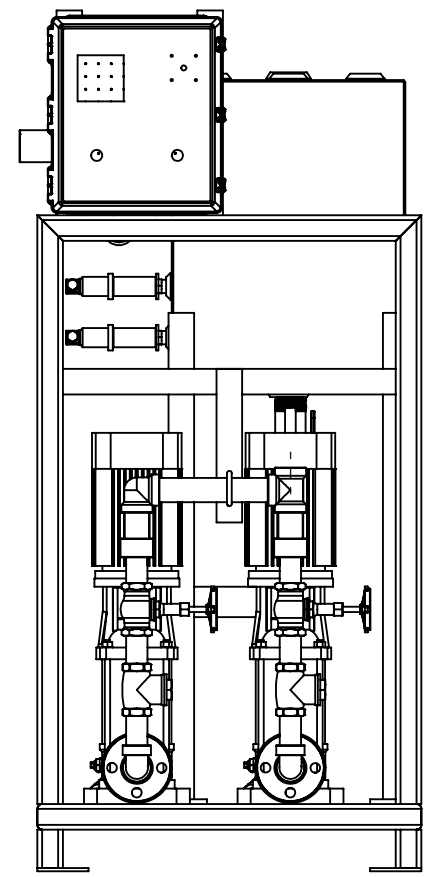
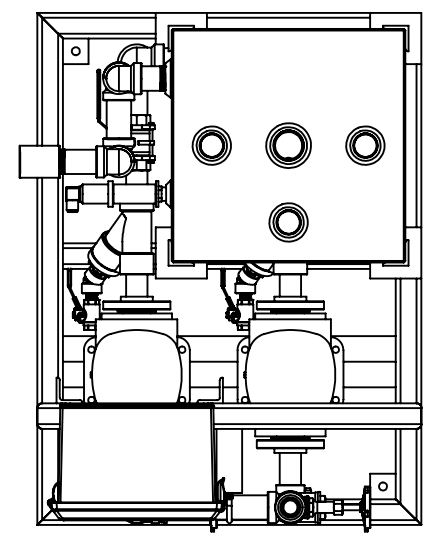


8 7 6 5 4 3 2 1

D
C
B
A



8 7 6 5 4 3 2 1

NOTES:
*NOT FOR CONSTRUCTION
*NOT TO SCALE

-	-	-	-
-	-	-	-
-	-	-	-
-	-	-	-
-	-	-	-
REV. NO:	DESCRIPTION:	DATE:	BY:

ENGINEER:
-

PROJECT:
-

CLIENT/CUSTOMER:
-

PAGE DESCRIPTION:
DUPLEX CONDENSATE PUMP PACKAGE

MODEL #:
CND-30-DPX-304-460

WORK ORDER #:
-

SCALE: 1:15 DWG SIZE: B SHEET: 1 OF 1

DRAWN BY: KEENAN KELLY DATE: 03/06/20
APPROVED BY: - DATE: -



Custom Steam Solutions Inc
Your Steam System Integrators

ESTIMATED DRY WEIGHT:
606.47 - LBS

PROPRIETARY AND CONFIDENTIAL
THIS DOCUMENT CONTAINS PRIVILEGED AND CONFIDENTIAL PROPERTY OF CUSTOM STEAM SOLUTIONS INC. ANY DISCLOSURE OR REPRODUCTION IN PART OR AS A WHOLE WITHOUT THE WRITTEN PERMISSION OF CUSTOM STEAM SOLUTIONS INC. IS PROHIBITED.

DRAWING #: 179-C002 REV #: 00